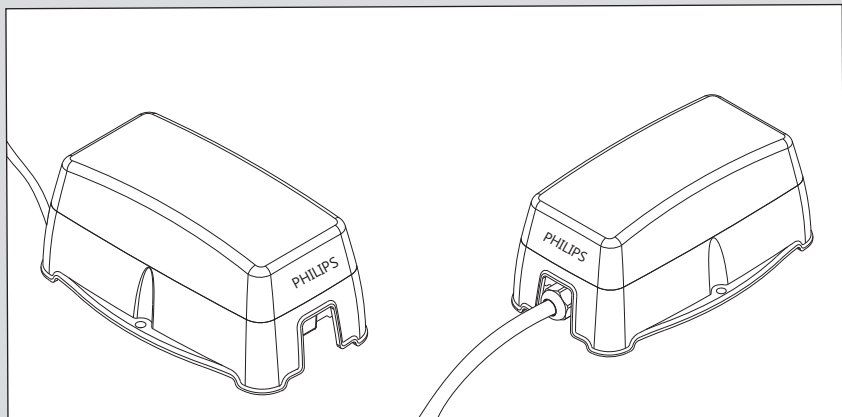


Installation Instruction

WT 202W

Bulkhead Luminaire



| | | |
|---------------------|---|-------------------------|
| Type Ref. | : | WT202W |
| Lamp | : | LED |
| Voltage | : | 240 V, 50 Hz |
| IP Classification | : | IP 66 |
| Net Weight | : | 0.55 kgs |
| Max. Projected Area | : | 0.018 m ² |
| Application | : | For industrial use only |

IP-66

IK 09

ta
45°

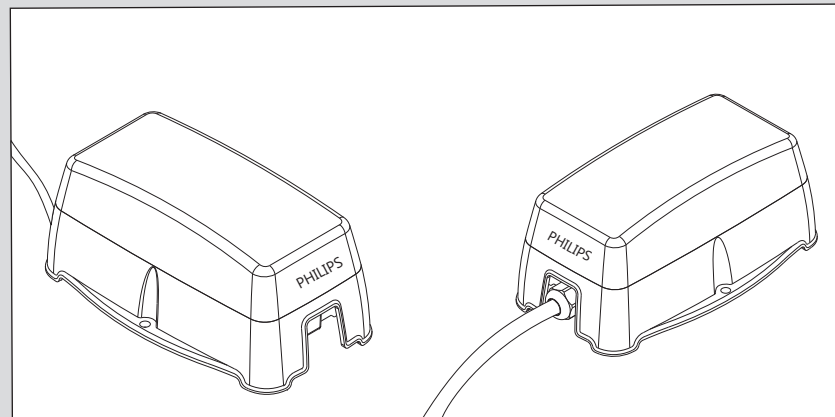


4415 109 24380

Installation Instruction

WT 202W

Bulkhead Luminaire



| | | |
|---------------------|---|-------------------------|
| Type Ref. | : | WT202W |
| Lamp | : | LED |
| Voltage | : | 240 V, 50 Hz |
| IP Classification | : | IP 66 |
| Net Weight | : | 0.55 kgs |
| Max. Projected Area | : | 0.018 m ² |
| Application | : | For industrial use only |

IP-66

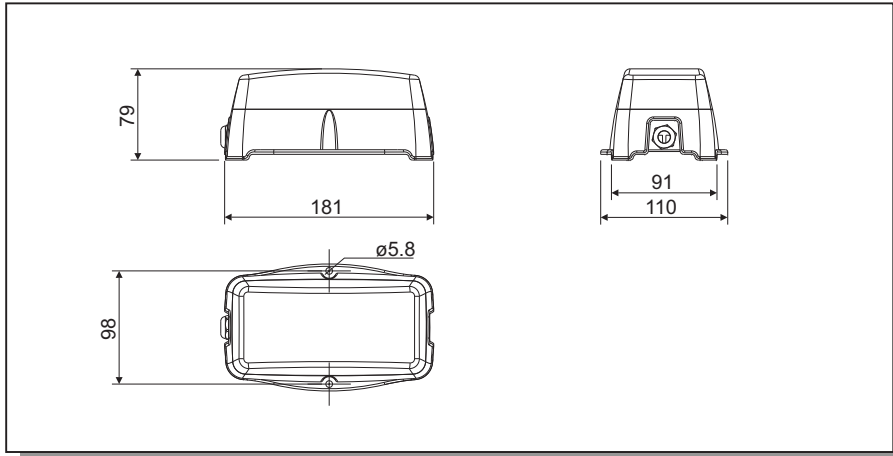
IK 09

ta
45°

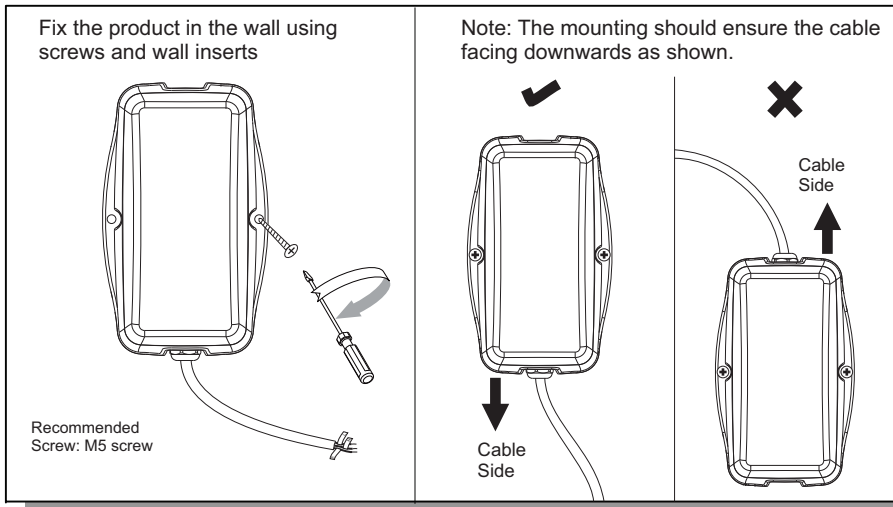


4415 109 24380

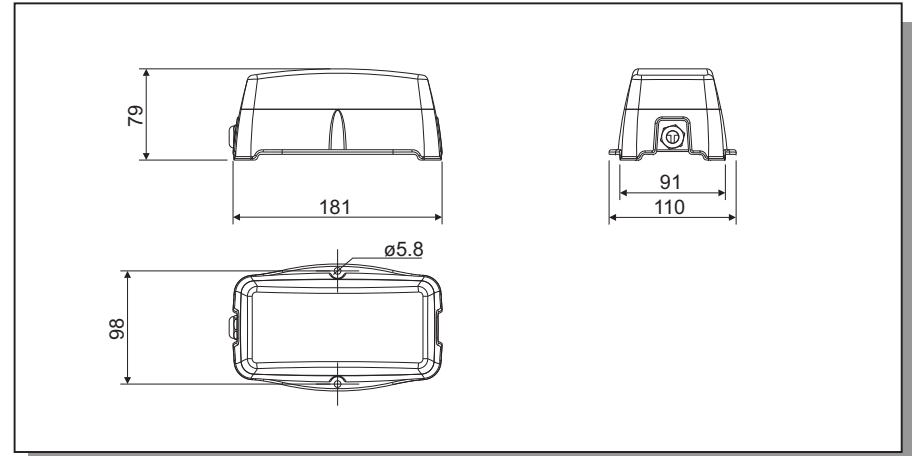
Dimensions



Installation



Dimensions



Installation

