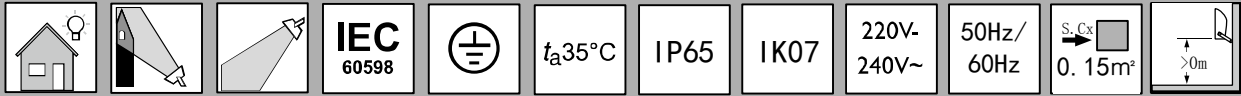


# Tempo LED/ 泛光灯

## BVP162 163

Mounting instruction/ 安装说明

444170096041



Product Type 产品型号	CQC Description CQC描述	LED Qty LED数量	Power/W 功率	Appearance 外观	kg
BVP163 LED 220/NW 220W 220-240V AW B	BVP163 224LED 150	224	220	L	7
BVP162 LED 110/NW 110W 220-240V AW B	BVP162 112LED 150	112	110	S	5
BVP163 LED 200/W W 220W 220-240V AW B	BVP163 224LED 150	224	220	L	7
BVP162 LED 100/W W 110W 220-240V AW B	BVP162 112LED 150	112	110	S	5
BVP163 LED 220/CW 220W 220-240V AW B	BVP163 224LED 150	224	220	L	7
BVP162 LED 110/CW 110W 220-240V AW B	BVP162 112LED 150	112	110	S	5

Dimension in mm  
单位: 毫米

Universal Mounting Angle  
自由旋转安装角度

Appearance 外观	A	B
S	283	365
L	431	500

**I Connect the power cord 接电源线**

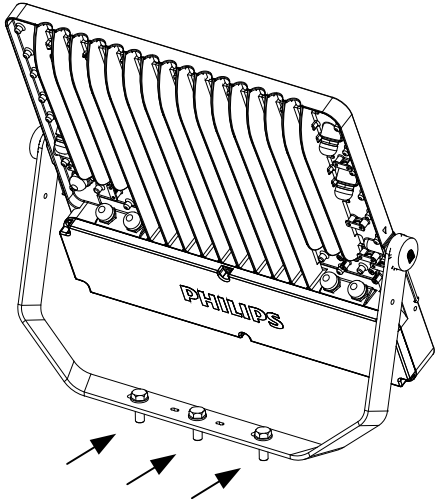
3X1.0mm<sup>2</sup>

蓝色线: N (Blue: N)  
黄绿线: 接地 (Yellow-Green: GND)  
棕色线: L (Brown: L)

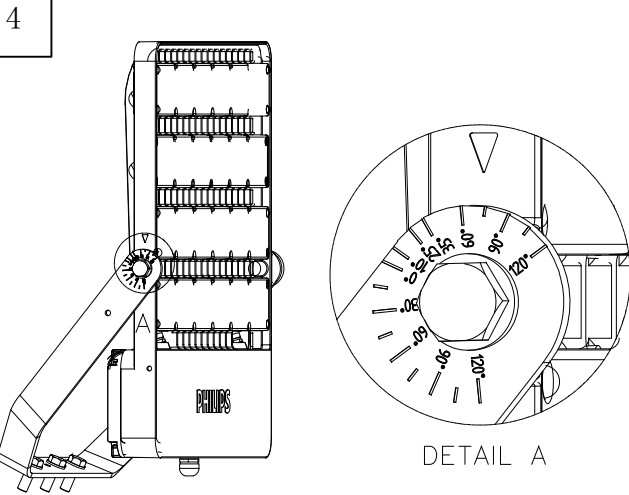
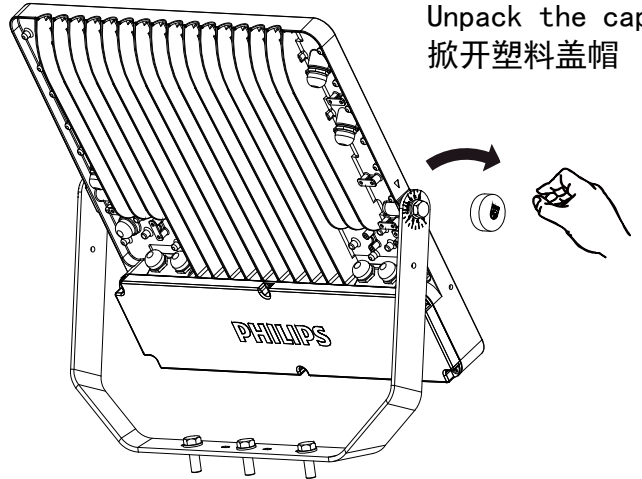
Watertight IP65  
防水接线盒 IP65

\* No Supplied Watertight Box  
本灯具不提供防水接线盒

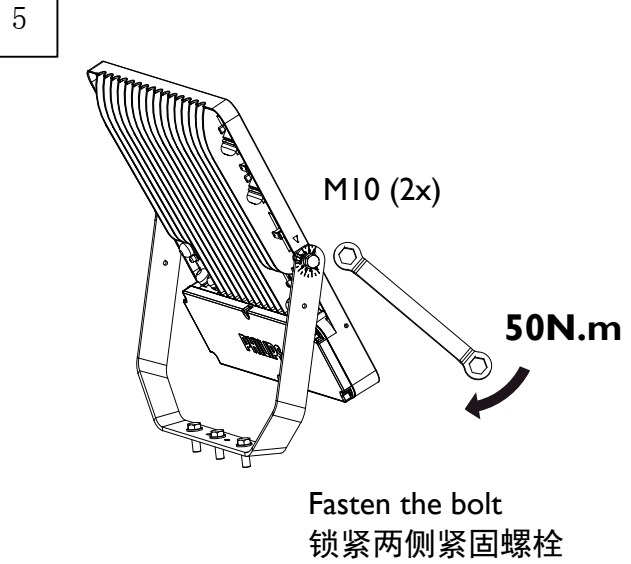
**2** Install the luminaire according to the national regular and make sure it will not fall off.  
按照国家标准安装固定好灯具，确保其不会掉落。



**3** Unpack the cap  
掀开塑料盖帽



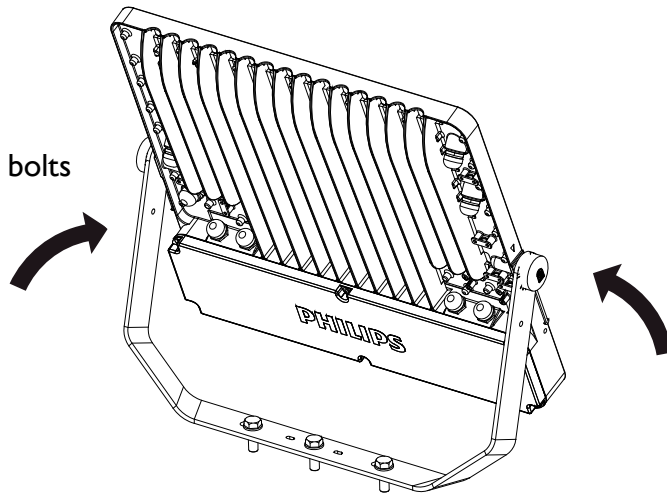
Adjust the luminaire to a Proper Angle  
根据需要将灯具调整到合适的角度



Fasten the bolt  
锁紧两侧紧固螺栓

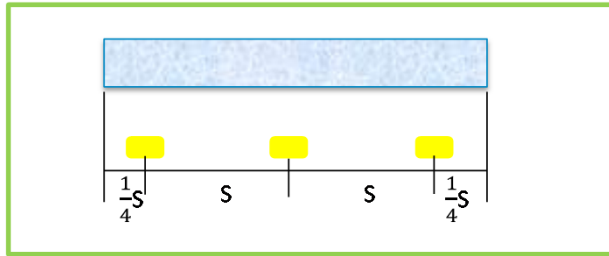
**6**

Cover the plastic cap on the bolts  
盖上两侧塑料盖帽



## Installation distance

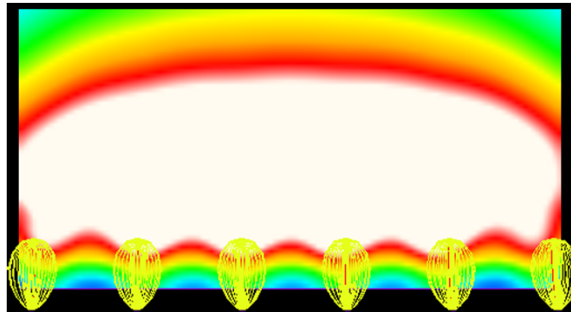
安装距离



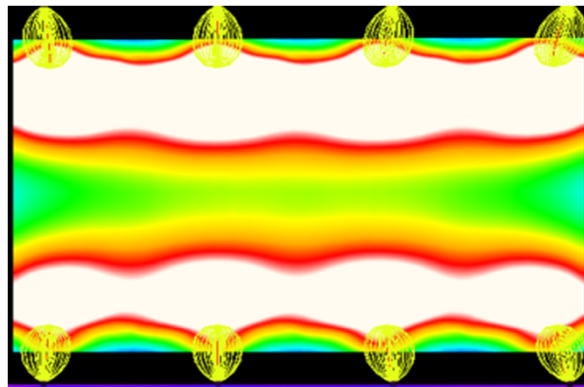
## Installation angle (Refer to fig. 4 on previous page)

安装角度(参考上页图4)

## 12mx6m, 6 luminaires 灯具

Tilt angle 10°  
倾斜角度10°

## 12mx8m, 8 luminaires 灯具

Tilt angle 25°  
倾斜角度25°Tilt angle 35°  
倾斜角度35°

1. Switch off power before operation.

操作前请务必关闭电源。

2. The luminaire should be replaced immediately if any crack or deterioration.

若灯具破损, 请勿继续使用。

3. The Luminaire should be installed by a qualified electrician and wired in Accordance with the latest IEC-60364-7-714 regulations or the national requirements.

灯具应由有资格的电工安装, 接线要符合IEC-60364-7-714标准或国家标准。

4. The connection of power cable on luminaire is type Y.

该灯具上的电源线缆属Y型连接。

5. The light source and power cable contained in this luminaire shall only be replaced by the manufacture or his service agent or a similar qualified person.

灯具内光源和电源线只能由制造商、服务代理商或其他有资格的专门人员进行更换。

6. It's not appropriate to install luminaires on interface with normal combustible material.

灯具不适宜直接安装在普通可燃材料表面。