



The new generation of energy saving tube lighting

MASTER LEDtube InstantFit HF

The Philips MASTER LEDtube integrates a LED light source into a traditional fluorescent form factor. Its unique design creates a perfectly uniform visual appearance which cannot be distinguished from traditional fluorescent. This product is the ideal solution for up lighting in general lighting applications.

Benefits

- Reduced operational cost thanks to lower energy consumption
- Lower maintenance cost thanks to 2-3 times longer lifetime than normal fluorescent tubes
- Fastest and easiest way to upgrade existing luminaire to LED technology; 100%-safe installation process

Features

- Only 50% energy consumption compared to fluorescent tubes
- Extra-long life of 50,000 hours
- Retrofit to existing T8 lamps on EM ballast installations
- Full safety features and EM Protector safety device
- No mercury

Application

- Parking lots / covered car parks
- Warehouses / coldrooms / signage
- Transport and distribution areas

Warnings and Safety

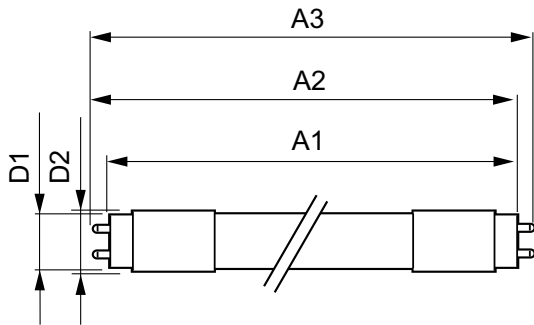
- NOTES: The overall energy efficiency and light distribution of any installation that uses these lamps are determined by the design of the installation.

MASTER LEDtube InstantFit HF

Versions



Dimensional drawing



Product	D1	D2	A1	A2	A3
MASTER LEDtube HF 1500mm HO 20W840 T8	25.6 mm	28 mm	1498.7 mm	1505.8 mm	1512.9 mm
MASTER LEDtube HF 1200mm UO 16W840 T8	25.6 mm	28 mm	1198.1 mm	1205.2 mm	1212.3 mm
MASTER LEDtube HF 1200mm HO 14W840 T8	25.6 mm	28 mm	1198.1 mm	1205.2 mm	1212.3 mm
MASTER LEDtube HF 1500mm UO 24W840 T8	25.6 mm	28 mm	1498.7 mm	1505.8 mm	1512.9 mm

MASTER LEDtube InstantFit HF

Controls and Dimming

Dimmable	No
----------	----

Operating and Electrical

Input Frequency	20000-75000 Hz
Voltage (Nom)	30-80 V
Starting Time (Nom)	0.5 s

General Information

Cap-Base	G13 ROT (Rotating)
Nominal Lifetime (Nom)	60000 h
Switching Cycle	50,000X

Light Technical

Beam Angle (Nom)	160 °
Colour Code	840
Correlated Colour Temperature (Nom)	4000 K
Colour Rendering Index (Nom)	83
Llmf At End Of Nominal Lifetime (Nom)	70 %

Mechanical and Housing

Bulb Shape	Tube, double-ended
------------	--------------------

Temperature

T-Ambient (Max)	45 °C
T-Ambient (Min)	-20 °C
T-Case Maximum (Nom)	55 °C
T-Storage (Max)	65 °C
T-Storage (Min)	-40 °C

Approval and Application

Order Code	Full Product Name	Energy Consumption kWh/1000 h
929001284102	MASTER LEDtube HF 1200mm HO 14W840 T8	14 kWh
929001284402	MASTER LEDtube HF 1500mm HO 20W840 T8	20 kWh
929001300002	MASTER LEDtube HF 1200mm UO 16W840 T8	16 kWh
929001300302	MASTER LEDtube HF 1500mm UO 24W840 T8	24 kWh

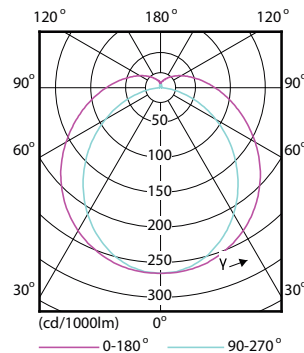
Operating and Electrical

Order Code	Full Product Name	Power (Rated) (Nom)
929001284102	MASTER LEDtube HF 1200mm HO 14W840 T8	14 W
929001284402	MASTER LEDtube HF 1500mm HO 20W840 T8	20 W

Order Code	Full Product Name	Power (Rated) (Nom)
929001300002	MASTER LEDtube HF 1200mm UO 16W840 T8	16 W
929001300302	MASTER LEDtube HF 1500mm UO 24W840 T8	24 W

Light Technical

Order Code	Full Product Name	Luminous Flux (Nom)
929001284102	MASTER LEDtube HF 1200mm HO 14W840 T8	2100 lm
929001284402	MASTER LEDtube HF 1500mm HO 20W840 T8	3100 lm
929001300002	MASTER LEDtube HF 1200mm UO 16W840 T8	2500 lm
929001300302	MASTER LEDtube HF 1500mm UO 24W840 T8	3700 lm



MASTER LEDtube InstantFit HF

