



Tango Mini BVP280

BVP280 LED45/CW 40W 220-240V SWB GM

Tango Mini BVP280 - 4500 lm - 40 W - 5700 K

Tango mini LED is a general purpose LED flood lighting luminaire for various lighting applications, such as area lighting, bill-board, façade, industry area and other general applications. The Tango mini LED flood light incorporates LED light source, optical system, heat sink and driver into one compact housing. Its specially designed heat sink incorporates aesthetics and functionality to ensure reliability and long lifetime. Tango mini LED takes advantage of LED technology which provides energy savings and a longer lifetime, bringing area lighting into a new era.

Product data

| General Information | | Light Technical | |
|-------------------------------|--|---|-------------|
| Lamp family code | - | Constant light output | No |
| Lamp colour code | Cool white | Number of products on MCB (16 A type B) | - |
| Light source replaceable | Yes | EU RoHS compliant | No |
| Number of gear units | - | Light source engine type | LED |
| Driver/power unit/transformer | PSU [Power supply unit] | Serviceability class | - |
| Driver included | Yes | Operating and Electrical | |
| Optical cover/lens type | PC-MLO [Polycarbonate micro lens optic] | Input Voltage | 220-240 V |
| Luminaire light beam spread | 90° | Input frequency | 50 or 60 Hz |
| Control interface | - | Initial CLO power consumption | - W |
| Connection | Flying leads/wires | Average CLO power consumption | - W |
| Cable | Cable 0.5 m without plug | End CLO power consumption | - W |
| Protection class IEC | Safety class I (I) | Power factor (min.) | 0.95 |
| Flammability mark | NO [-] | | |
| CE mark | CE mark | | |
| ENEC mark | - | | |
| Warranty period | 3 years | | |
| Optic type outdoor | Symmetrical wide beam | | |

Tango Mini BVP280

Controls and Dimming

| | |
|----------|----|
| Dimmable | No |
|----------|----|

Mechanical and Housing

| | |
|-----------------------------|------------------------------------|
| Housing material | Aluminum die-cast |
| Reflector material | - |
| Optic material | Polycarbonate |
| Optical cover/lens material | Polycarbonate |
| Fixation material | Steel |
| Mounting device | MBA [Mounting bracket adjustable] |
| Optical cover/lens shape | - |
| Optical cover/lens finish | Frosted |
| Overall length | 253 mm |
| Overall width | 240 mm |
| Overall height | 47 mm |
| Effective projected area | 0.052 m ² |
| Colour | Aluminium and Grey |

Approval and Application

| | |
|--|---|
| Ingress protection code | IP65 [Dust penetration-protected, jet-proof] |
| Mech. impact protection code | IK07 [2 J reinforced] |
| Surge protection (common/differential) | Surge protection level until 10 kV |

Initial Performance (IEC Compliant)

| | |
|-------------------------------------|---------|
| Initial luminous flux (system flux) | 4500 lm |
|-------------------------------------|---------|

| | |
|--------------------------------|------------|
| Luminous flux tolerance | +/-10% |
| Initial LED luminaire efficacy | 112.5 lm/W |
| Lamp colour temperature | 5700 K |
| Colour Rendering Index | 70 |
| Initial chromaticity | SDCM<=7 |
| Initial input power | 40 W |
| Power consumption tolerance | +/-10% |

Application Conditions

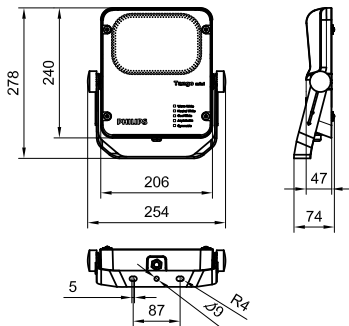
| | |
|---------------------------|---------------|
| Ambient temperature range | -40 to +50 °C |
|---------------------------|---------------|

Product Data

| | |
|-----------------------------------|-------------------------------------|
| Full product code | 911401659804 |
| Order product name | BVP280 LED45/CW 40W 220-240V SWB GM |
| Order code | 911401659804 |
| SAP numerator – quantity per pack | 1 |
| Numerator – packs per outer box | 1 |
| SAP material | 911401659804 |
| SAP net weight (piece) | 2.499 kg |



Dimensional drawing



BVP280 Tango Mini

Tango Mini BVP280

