



CoreLine Waterproof

WT120C G2 LED40S/840 PSU L1200

840 neutral white - Power supply unit

Whether for a new building or renovation of an existing space, customers want lighting solutions that provide quality of light and substantial energy and maintenance savings. The new CoreLine Waterproof range of LED products can be used to replace traditional waterproof luminaires with fluorescent lamps. The process of selecting, installing and maintaining is so easy – it's a simple switch.

Warnings and Safety

- UV radiation will damage the material over time, resulting in loss of waterproof sealing and IP65 rating.
- Do not install the luminaire in locations where it is exposed to direct sunlight.

Product data

General Information		Warranty period	
Lamp colour code	840 neutral white	Warranty period	5 years
Light source replaceable	No	Remarks	*- According to the Lighting Europe guidance paper 'Evaluating performance of LED based luminaires – January 2018': statistically there is no relevant difference in lumen maintenance between the B50 and, for example, the B10. Therefore, the median useful life (B50) value also represents the B10 value.
Number of gear units	1 unit	Constant light output	No
Driver/power unit/transformer	PSU [Power supply unit]	Number of products on MCB (16 A type B)	60
Driver included	Yes	EU RoHS compliant	Yes
Optic type	110 [Beam angle 110°]	Unified glare rating CEN	25
Luminaire light beam spread	105°	Operating and Electrical	
Control interface	-	Input Voltage	220 to 240 V
Connection	PI [Push-in connector 3-pole]		
Cable	-		
Protection class IEC	Safety class I (I)		
Glow-wire test	850/30 [Temperature 850 °C, duration 30 s]		
Flammability mark	D [For mounting on easily flammable surfaces]		
CE mark	CE mark		
ENEC mark	ENEC mark		

CoreLine Waterproof

Input frequency	50 or 60 Hz
Inrush current	5.16 A
Inrush time	0.047 ms
Power factor (min.)	0.9

Controls and Dimming

Dimmable	No
----------	----

Mechanical and Housing

Housing material	Polycarbonate
Reflector material	Steel
Optic material	Polycarbonate
Optical cover/lens material	Polycarbonate
Gear tray material	Steel
Fixation material	Stainless steel
Optical cover/lens finish	-
Overall length	1215 mm
Overall width	80 mm
Overall height	76 mm
Colour	Grey
Dimensions (height x width x depth)	76 x 80 x 1215 mm (3 x 3.1 x 47.8 in)

Approval and Application

Ingress protection code	IP65 [Dust penetration-protected, jet-proof]
Mech. impact protection code	IK08 [5 J vandal-protected]

Initial Performance (IEC Compliant)

Initial luminous flux (system flux)	4000 lm
Luminous flux tolerance	+/-10%
Initial LED luminaire efficacy	143 lm/W

Lamp colour temperature	4000 K
Colour Rendering Index	>80
Initial chromaticity	(0.38,0.38)SDCM<=3
Initial input power	28.6 W
Power consumption tolerance	+/-10%

Over Time Performance (IEC Compliant)

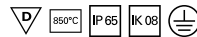
Control gear failure rate at median useful life 50,000 h	5 %
Lumen maintenance at median useful life* 50,000 h	L80

Application Conditions

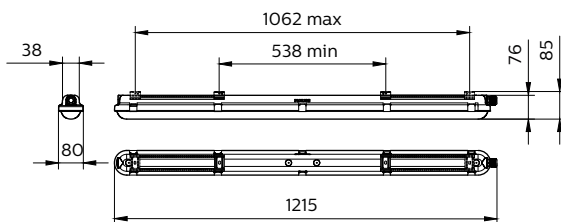
Ambient temperature range	-20 to +40 °C
Performance ambient temperature Tq	25 °C
Maximum dimming level	Not applicable
Suitable for random switching	Not applicable

Product Data

Full product code	871829184048000
Order product name	WT120C G2 LED40S/840 PSU L1200
EAN/UPC – product	8718291840480
Order code	911401823780
SAP numerator – quantity per pack	1
Numerator – packs per outer box	9
SAP material	911401823780
SAP net weight (piece)	1.400 kg

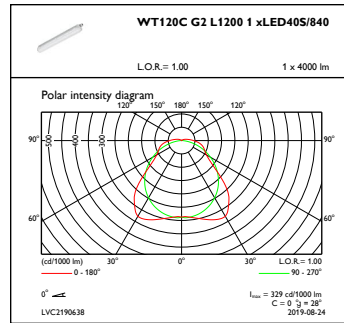
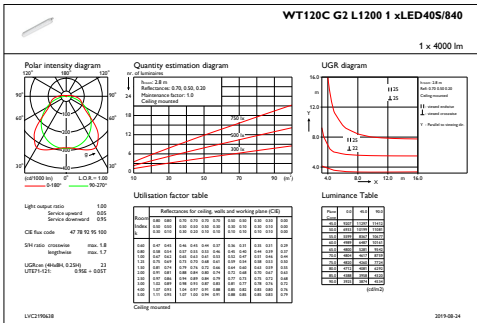


Dimensional drawing



CoreLine Waterproof WT120C

Photometric data



IFGU1_WT120CG2L12001xLED40S840

OFPC1_WT120CG2L12001xLED40S840

