

# HF-Matchbox Blue

## HF-M BLUE 109 LH TL/PL-S 230-240V

HF-Matchbox Blue is an affordable, reliable, compact, lightweight and high-frequency ballast for use with system wattages below 25 W in combination with TL mini, TL-D, TL5 and TL5c, PL-T/C, and PL-L/S lamps. The HF-M Blue range has a robust design, meets all relevant international safety and performance standards and has an energy efficiency index (CELMA EEI ) of A2.

### Product data

General Information	
Lamp type	TL/PL-S
Number of lamps	1 piece/unit
Number of products on MCB (16 A type B) (nom.)	159
Automatic restart	Yes
Operating and Electrical	
Input Voltage	230 to 240 V
Input frequency	50 to 60 Hz
Power factor 100% load (nom.)	0.64
Ignition time (max.)	0.5 s
Mains voltage performance (AC)	-8%+6%
Mains voltage safety (AC)	-10%+10%
Power losses (nom.)	1.7 W
Efficiency at full load [%]	80.76 %
Wiring	
Connector type input terminals	Insert
Colour input terminals	Blue
Colour output terminals	Grey
Connector type output terminals	Insert

Cable length from device to lamp	1.50 m
Cable length hot-wiring	0.30 m
Wire strip length	8.0-9.0 mm
Input terminal cross section	0.50-1.50 mm <sup>2</sup>
Output terminal cross section	0.50-1.50 mm <sup>2</sup>

System characteristics	
Rated ballast-lamp power	9 W
System power on PL-S	9.5 W
Rated lamp power on PL-S	9 W
Power loss on PL-S	1.7 W
Lamp power on PL-S	7.8 W
Lamp power on TL	8.2 W
Rated lamp power on TL	9 W
System power on TL	10.1 W
Power loss on TL	1.9 W

Temperature	
T-ambient (max.)	40 °C
T-ambient (min.)	-10 °C
T-Case maximum (max.)	75 °C

# HF-Matchbox Blue

## Mechanical and Housing

Housing LH

## Emergency Operation

Battery voltage lamp ignition 194-254 V

## Approval and Application

IP classification IP 20 [ Ingress Protection 20]

Approval marks F-Marking CE marking VDE certificate  
CB Certificate

## Product Data

Full product code 871150053680830

Order product name HF-M BLUE 109 LH TL/PL-S 230-240V

EAN/UPC – product 8711500536808

Order code 913700421366

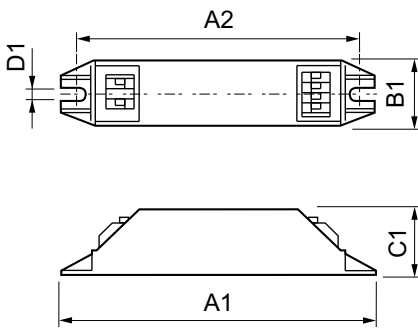
SAP numerator – quantity per pack 1

Numerator – packs per outer box 50

SAP material 913700421366

SAP net weight (piece) 0.036 kg

## Dimensional drawing



HF-M BLUE 109 LH TL/PL-S 230-240V

## Product

HF-M BLUE 109 LH TL/PL-S 230-240V

