



Dynalite Multipurpose Controllers

DDMC802

Multipurpose Modular Controller to control different load types with one device

Multipurpose Modular Controller to control different load types with one device

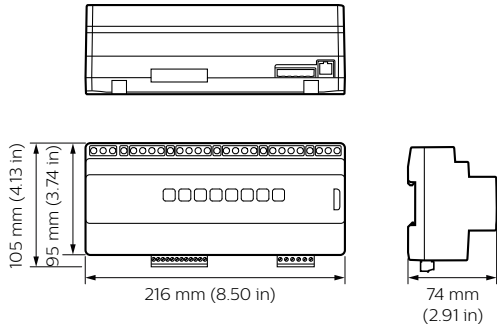
Product data

General Information	
CE mark	CE mark
Remarks	Please download the Lighting - Product Data Sheet for more information and ordering options
EU RoHS compliant	Yes
Application Conditions	
Ambient temperature range	0 to +40 °C
Product Data	
Full product code	871869688800100

Order product name	DDMC802
EAN/UPC – product	8718696888001
Order code	913703243509
SAP numerator – quantity per pack	1
Numerator – packs per outer box	1
SAP material	913703243509
SAP net weight (piece)	460.000 g

Dynalite Multipurpose Controllers

Dimensional drawing



Dynalite Multipurpose Controllers

