



# HF-Selectalume II for TL-D lamps

## HF-S 158 TL-D II 220-240V 50/60Hz

HF-Selectalume II is the most cost-effective, reliable, slim and affordable fluorescent solution, with highly disruptive technology for energy saving, system flexibility and unsurpassed performance. The cost-saving HF-Selectalume II has a robust design which meets all relevant international safety and performance standards. HF-Selectalume II is intended for use with indoor lighting fixtures such as spotlights, downlights and recessed luminaires, which are largely used in office, retail, industry, hotel, restaurant and other applications where control devices are installed with occasional On/Off switching activity

### Product data

General Information		Mains voltage safety (AC)	
Application code	II	Mains voltage safety (AC)	198-264V-10%-+10%
Type version	mk1	Earth leakage current (max.)	0.5 mA
Lamp type	TL-D	Inrush current width	0.35 ms
Number of lamps	1 piece/unit	Ballast factor (nom.)	0.98
Number of products on MCB (16 A type B) (nom.)	28	Power losses (nom.)	4.6 W
Automatic restart	Yes	Inrush current peak (max.)	18 A
		Efficiency at full load [%]	90.9 %
Operating and Electrical		Wiring	
Input Voltage	220 to 240 V	Connector type input terminals	WAGO 744 connector
Input frequency	50 to 60 Hz	Cable capacity output wires mutual (max.)	200 pF
Operating frequency (nom.)	45 kHz	Connector type output terminals	WAGO 744 connector [ Suitable for manual wiring]
Crest factor (nom.)	1.7	Cable length hot-wiring	0.75 m
Power factor 100% load (nom.)	0.98	Wire strip length	8.0-9.0 mm
Preheat time	1.6 s	Dual fixture master/slave	Possible, lamp wires 2m max. length [ Master/Slave operation possible]
Mains voltage performance (AC)	202-254V-8%-+6%		

## HF-Selectalume II for TL-D lamps

Input terminal cross section	0.50-1.50 mm <sup>2</sup>
Output terminal cross section	0.50-1.50 mm <sup>2</sup>
Cable capacity cold output wires – earth (max.)	200 pF
Cable capacity hot output wires – earth (max.)	200 pF

### System characteristics

Rated ballast-lamp power	58 W
Rated lamp power on TL-D	58 W
System power on TL-D	54.1 W
Lamp power on TL-D	49.5 W
Power loss on TL-D	4.6 W

### Temperature

T-ambient (max.)	55 °C
T-ambient (min.)	-20 °C
T storage (max.)	80 °C
T storage (min.)	-40 °C
T-case lifetime (nom.)	75 °C
T-Case maximum (max.)	75 °C

### Mechanical and Housing

Housing	L 280x30x28
---------	-------------

### Emergency Operation

Nominal light output after 60 seconds	100% of EBLF
Normal operating voltage (DC)	220-240 V
Battery voltage guaranteed operation	176-275 V

Battery voltage guaranteed ignition	186-275 V
Emergency ballast lumen factor (EBLF) (nom.)	100 %
Nominal light output after 5 seconds	50% of EBLF

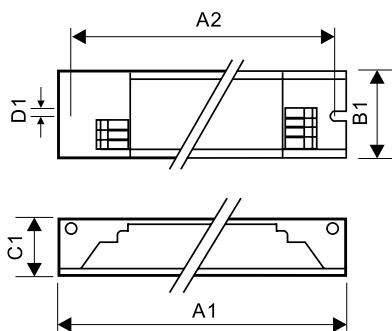
### Approval and Application

Energy efficiency index	A2 BAT
IP classification	IP 20 [ Ingress Protection 20]
EMI 9 kHz ... 30 MHz	EN55015
Vibration standard	IEC68-2-6 F c
Bumps standard	IEC 68-2-29 Eb (10G/16ms)
Approval marks	F-Marking CE marking ENEC certificate CCC certificate C-Tick certificate PSB certification TISI marking SIRIM approval CB Certificate CCC certificate VDE-EMV certificate
Humming and noise level	< 30 dB(A)

### Product Data

Full product code	872790089739500
Order product name	HF-S 158 TL-D II 220-240V 50/60Hz
EAN/UPC – product	8711500999078
Order code	913713032266
SAP numerator – quantity per pack	1
Numerator – packs per outer box	12
SAP material	913713032266
SAP net weight (piece)	0.193 kg

## Dimensional drawing



HF-S 158 TL-D II 220-240V 50/60Hz

### Product

HF-S 158 TL-D II 220-240V 50/60Hz

## HF-Selectalume II for TL-D lamps

