



# Your everyday LEDspot GU10

## Essential LEDspot GU10

Essential LED spots are compatible with most existing fixtures with a GU10 socket and are designed as a retrofit replacement for halogen spots. Essential LED spots deliver significant energy savings and minimise initial investment.

### Benefits

- Up to 90 % energy saving compared with traditional halogen lamps
- Lower maintenance costs
- Low initial investment

### Features

- Easy retrofit
- Lifetime up to 15 000 hours
- Non-dimmable
- UV- and IR-free light

### Application

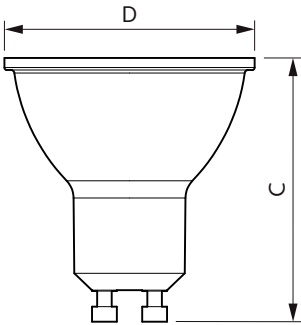
- Domestic applications

# Essential LEDspot GU10

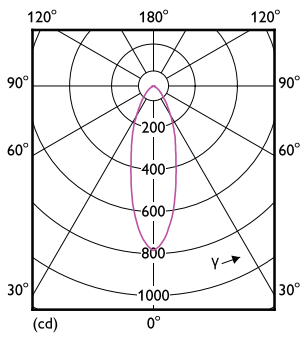
## Versions



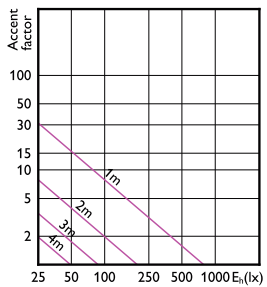
## Dimensional drawing



Product	D	C
EcoBright LED GU10 50W 827 36D 2BC/5	50 mm	54 mm
EcoBright LED GU10 50W 827 36D 1BC/10	50 mm	54 mm



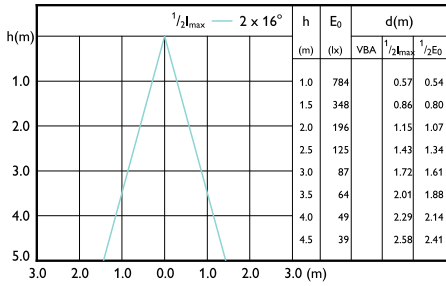
## Accent Diagrams



LEDspot ESS 50W GU10 PAR16 840 36D ND

# Essential LEDspot GU10

## Beam Diagrams



LEDspot ESS 50W GU10 PAR16 840 36D ND

