

# GreenUp Wellglass

## BY200Z MB

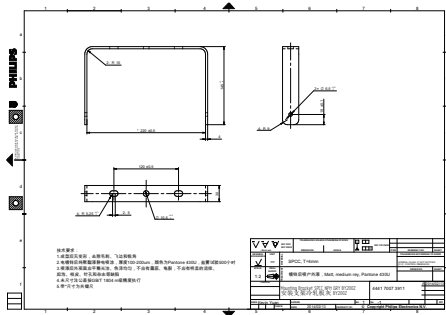
Grey

GreenUp LED Wellglass luminaire is designed to replace traditional WelGlass up to 70W with only 35% of the load for similar illumination. It is a perfect LED solution for outdoor application and industry of harsh condition like power plant, metal, and non hazardous area in chemical and petrochemical industry. Compared to conventional HID WelGlass, it improves reliability, comfort, while reducing energy and maintenance cost dramatically. GreenUp Wellglass comes with 2 different mounting, pipe and bracket, and comes with 2 beam, lambertian and batwing.

### Product data

General Information		Product Data	
Material	Steel	Full product code	911401578911
Colour	Grey	Order product name	BY200Z MB
		Order code	911401578911
		SAP numerator – quantity per pack	1
		Numerator – packs per outer box	10
		SAP material	911401578911
		SAP net weight (piece)	0.420 kg

## Dimensional drawing



BY288X GreenUp Lowbay G2 acc.

