



GreenUp Wellglass

BY200Z WG

Silver

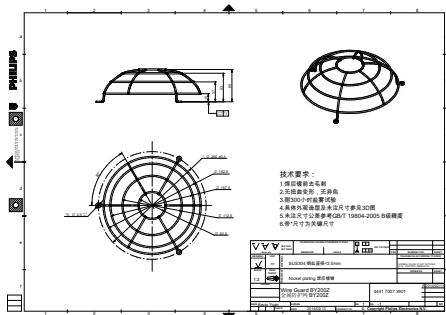
GreenUp LED Wellglass luminaire is designed to replace traditional WelGlass up to 70W with only 35% of the load for similar illumination. It is a perfect LED solution for outdoor application and industry of harsh condition like power plant, metal, and non hazardous area in chemical and petrochemical industry. Compared to conventional HID WelGlass, it improves reliability, comfort, while reducing energy and maintenance cost dramatically. GreenUp Wellglass comes with 2 different mounting, pipe and bracket, and comes with 2 beam, lambertian and batwing.

Product data

General Information		Order product name	
Colour	Silver		BY200Z WG
Mechanical and Housing		Order code	
Dimensions (height x width x depth)	NaN x NaN x NaN mm (NaN x NaN x NaN in)		911401579111
Product Data		SAP numerator – quantity per pack	
Full product code	911401579111		1
		Numerator – packs per outer box	
			10
		SAP material	
			911401579111
		SAP net weight (piece)	
			0.090 kg

GreenUp Wellglass

Dimensional drawing



BY288X GreenUp Lowbay G2 acc.

