



# MASTER LEDspot MV Value

## EcoBright LED GU10 50W 840 36D 1BC/10

Delivering a warm, halogen-like accent beam, MASTER LEDspot MV is a perfect fit for spot lighting (track, corridors, lift lobbies, display cases and cabinets) in the hospitality industry. It is particularly suitable to public areas where the light is on 24/7, such as lobbies, corridors, stairwells. MASTER LEDspot MV delivers huge energy savings and minimises maintenance cost without any compromise on brightness, enabling hospitality owners to achieve a return on their investment within one year. These LEDspots are compatible with most existing fixtures with a GU10 holder and designed as a retrofit replacement for halogen or incandescent spots. The dimmable versions drive further efficiencies, while helping to create the desired atmosphere. For environments where the right atmosphere needs to be created (e.g. bars and restaurants), the “DimTone” feature could be useful. This is a LED feature that creates a warmer tone once light is dimmed down to lower intensities.

### Warnings and Safety

- Operating temperature range is between -20° C and 45° C ambient
- Only to apply in dry or damp locations and most of open fixtures with lamp-holders that offer sufficient space (10 mm free air space)
- Not intended for use with emergency light fixtures or exit lights

### Product data

| General Information     |              | Technical type                   |                       |
|-------------------------|--------------|----------------------------------|-----------------------|
| Cap base                | GU10 [ GU10] |                                  | 4.7-50W               |
| EU RoHS compliant       | Yes          | Light Technical                  |                       |
| Nominal lifetime (nom.) | 15000 h      | Colour Code                      | 840 [ CCT of 4,000 K] |
| Switching cycle         | 15,000X      | Technical Beam Angle (Nom)       | 36 °                  |
|                         |              | Lamp Luminous Flux 25°C EL (Nom) | 420 lm                |

# MASTER LEDspot MV Value

|  |                 |
|--|-----------------|
| Luminous intensity (nom.)              | 1000 cd         |
| Colour Designation                     | Cool White (CW) |
| Colour Temperature, horizontal (Nom)   | 4000 K          |
| Lamp Luminous Efficacy EM (Nom)        | 89.36 lm/W      |
| Colour consistency                     | <6              |
| Colour Rendering Index,horiz (Nom)     | 80              |
| LLMF at end of nominal lifetime (nom.) | 70 %            |

## Operating and Electrical

|                                  |           |
|----------------------------------|-----------|
| Input frequency                  | 50 Hz     |
| Power (Rated) (Nom)              | 4.7 W     |
| Lamp current (nom.)              | 38 mA     |
| Wattage equivalent               | 50 W      |
| Starting time (nom.)             | 0.5 s     |
| Warm-up time to 60% light (nom.) | 0.5 s     |
| Power factor (nom.)              | 0.4       |
| Voltage (Nom)                    | 220-240 V |

## Temperature

|                       |       |
|-----------------------|-------|
| T-Case maximum (nom.) | 75 °C |
|-----------------------|-------|

## Controls and Dimming

|          |    |
|----------|----|
| Dimmable | No |
|----------|----|

## Mechanical and Housing

|            |      |
|------------|------|
| Bulb shape | GU10 |
|------------|------|

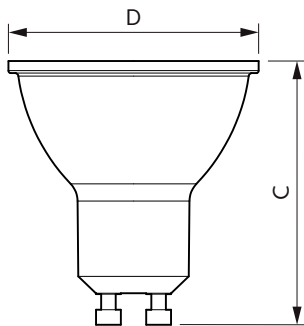
## Approval and Application

|                                    |       |
|------------------------------------|-------|
| Suitable for accent lighting       | Yes   |
| Energy consumption kWh/1,000 hours | 5 kWh |

## Product Data

|                                   |                                       |
|-----------------------------------|---------------------------------------|
| Full product code                 | 871869671760800                       |
| Order product name                | EcoBright LED GU10 50W 840 36D 1BC/10 |
| EAN/UPC – product                 | 8718696717608                         |
| Order code                        | 929001247007                          |
| SAP numerator – quantity per pack | 1                                     |
| Numerator – packs per outer box   | 10                                    |
| SAP material                      | 929001247007                          |
| SAP net weight (piece)            | 0.050 kg                              |

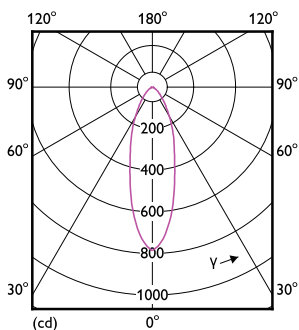
## Dimensional drawing



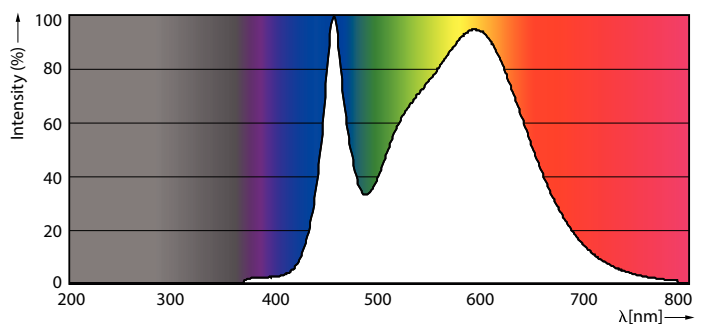
GU10 230V 5.5W-50W 345lm 36D 4000K ND

| Product                               | D     | C     |
|---------------------------------------|-------|-------|
| EcoBright LED GU10 50W 840 36D 1BC/10 | 50 mm | 54 mm |

## Photometric data



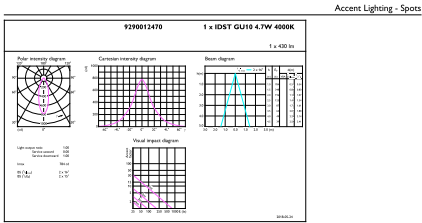
LEDspot ESS 50W GU10 PAR16 840 36D ND



LEDspot ESS 50W GU10 PAR16 840 36D ND

# MASTER LEDspot MV Value

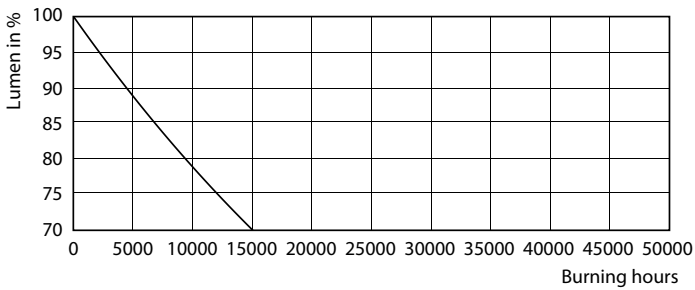
## Photometric data



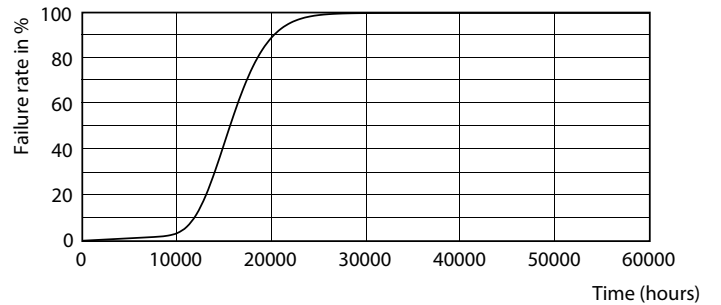
CalcusX Photometrics 4.3 Philips Lighting B.V. Page: 1/1

### LEDspot ESS 50W GU10 PAR16 840 36D ND

## Lifetime



### LEDspot ESS 50W GU10 PAR16 840 36D ND



### LEDspot ESS 50W GU10 PAR16 840 36D ND

