



# Essential LEDspot GU10

## EcoBright LED GU10 50W 827 36D 1BC/10

Essential LED spots are compatible with most existing fixtures with a GU10 socket and are designed as a retrofit replacement for halogen spots. Essential LED spots deliver significant energy savings and minimise initial investment.

### Product data

General Information	
Cap base	GU10 [ GU10]
EU RoHS compliant	Yes
Nominal lifetime (nom.)	15000 h
Switching cycle	15,000X
Technical type	4.7-50W
Light Technical	
Colour Code	827 [ CCT of 2,700 K]
Technical Beam Angle (Nom)	36 °
Lamp Luminous Flux 25°C EL (Nom)	400 lm
Luminous intensity (nom.)	700 cd
Colour Designation	Warm white (WW)
Colour Temperature, horizontal (Nom)	2700 K
Lamp Luminous Efficacy EM (Nom)	85.00 lm/W
Colour consistency	<6
Colour Rendering Index,horiz (Nom)	80
LLMF at end of nominal lifetime (nom.)	70 %
Operating and Electrical	
Input frequency	50 to 60 Hz

Power (Rated) (Nom)	4.7 W
Lamp current (nom.)	38 mA
Wattage equivalent	50 W
Starting time (nom.)	0.5 s
Warm-up time to 60% light (nom.)	0.5 s
Power factor (nom.)	0.41
Voltage (Nom)	220-240 V
Temperature	
T-Case maximum (nom.)	75 °C
Controls and Dimming	
Dimmable	No
Mechanical and Housing	
Bulb shape	GU10
Approval and Application	
Suitable for accent lighting	No
Energy consumption kWh/1,000 hours	5 kWh

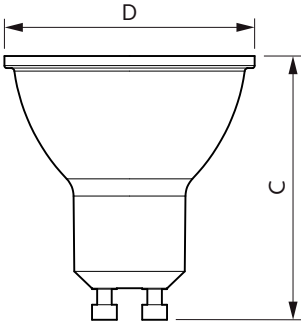
# Essential LEDspot GU10

## Product Data

Full product code	871869671758500
Order product name	EcoBright LED GU10 50W 827 36D 1BC/10
EAN/UPC – product	8718696717585
Order code	929001250407
SAP numerator – quantity per pack	1

Numerator – packs per outer box	10
SAP material	929001250407
SAP net weight (piece)	0.052 kg

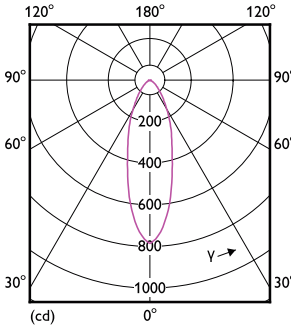
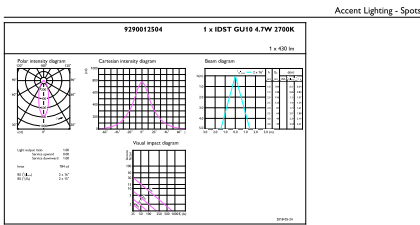
## Dimensional drawing



GU10 230V 5.5W-50W 345lm 36D 2700K ND

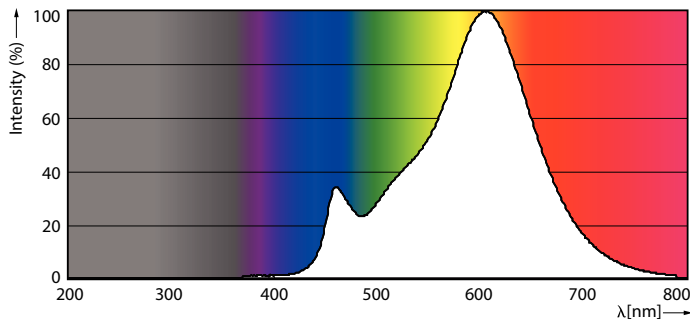
Product	D	C
EcoBright LED GU10 50W 827 36D 1BC/10	50 mm	54 mm

## Photometric data



LEDspot ESS 50W GU10 PAR16 827 36D ND

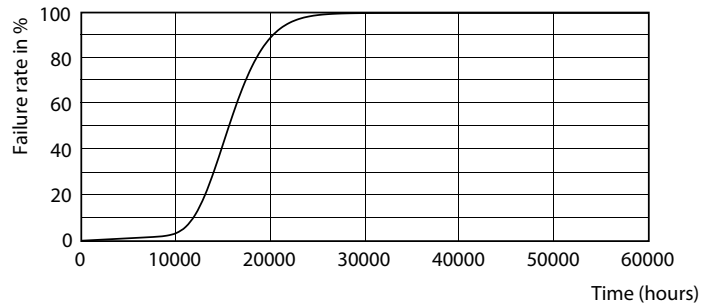
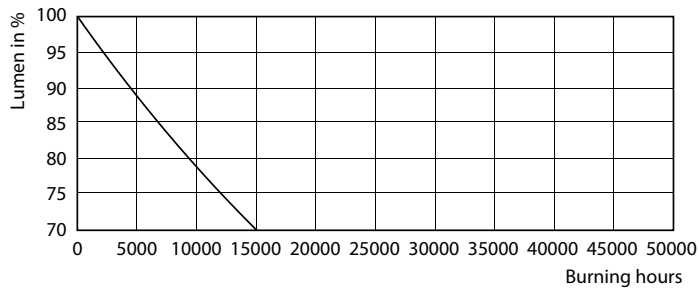
LEDspot ESS 50W GU10 PAR16 840 36D ND



LEDspot ESS 50W GU10 PAR16 827 36D ND

# Essential LEDspot GU10

## Lifetime



LEDspot ESS 50W GU10 PAR16 840 36D ND

LEDspot ESS 50W GU10 PAR16 840 36D ND

