



Essential LEDspot GU10

EcoBright LED GU10 50W 827 36D 2BC/5

Essential LED spots are compatible with most existing fixtures with a GU10 socket and are designed as a retrofit replacement for halogen spots. Essential LED spots deliver significant energy savings and minimise initial investment.

Product data

General Information	
Cap base	GU10 [GU10]
EU RoHS compliant	Yes
Nominal lifetime (nom.)	15000 h
Switching cycle	15,000X
Technical type	4.7-50W
Light Technical	
Colour Code	827 [CCT of 2,700 K]
Technical Beam Angle (Nom)	36 °
Lamp Luminous Flux 25°C EL (Nom)	400 lm
Luminous intensity (nom.)	700 cd
Colour Designation	Warm white (WW)
Colour Temperature, horizontal (Nom)	2700 K
Lamp Luminous Efficacy EM (Nom)	85.00 lm/W
Colour consistency	<6
Colour Rendering Index,horiz (Nom)	80
LLMF at end of nominal lifetime (nom.)	70 %
Operating and Electrical	
Input frequency	50 to 60 Hz

Power (Rated) (Nom)	4.7 W
Lamp current (nom.)	38 mA
Wattage equivalent	50 W
Starting time (nom.)	0.5 s
Warm-up time to 60% light (nom.)	0.5 s
Power factor (nom.)	0.41
Voltage (Nom)	220-240 V
Temperature	
T-Case maximum (nom.)	75 °C
Controls and Dimming	
Dimmable	No
Mechanical and Housing	
Bulb shape	GU10
Approval and Application	
Suitable for accent lighting	No
Energy consumption kWh/1,000 hours	5 kWh

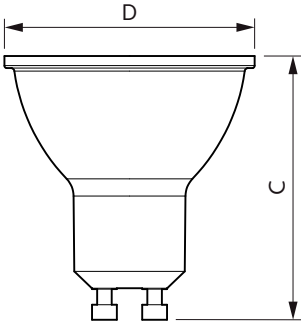
Essential LEDspot GU10

Product Data

Full product code	871869671774500
Order product name	EcoBright LED GU10 50W 827 36D 2BC/5
EAN/UPC – product	8718696717752
Order code	929001250437
SAP numerator – quantity per pack	1

Numerator – packs per outer box	5
SAP material	929001250437
SAP net weight (piece)	0.052 kg

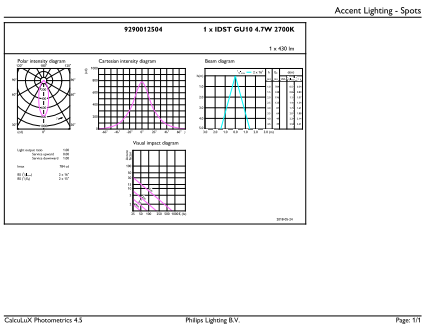
Dimensional drawing



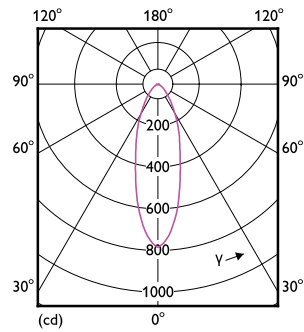
GU10 230V 5.5W-50W 345lm 36D 2700K ND

Product	D	C
EcoBright LED GU10 50W 827 36D 2BC/5	50 mm	54 mm

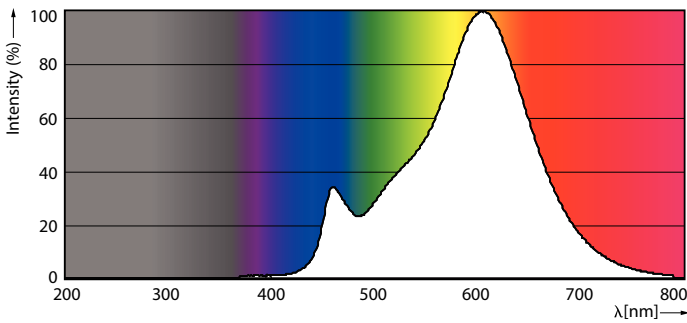
Photometric data



LEDspot ESS 50W GU10 PAR16 827 36D ND



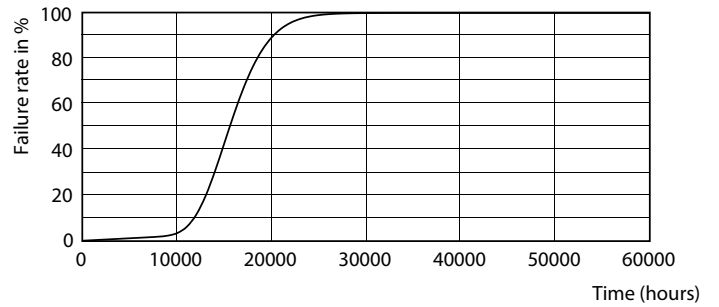
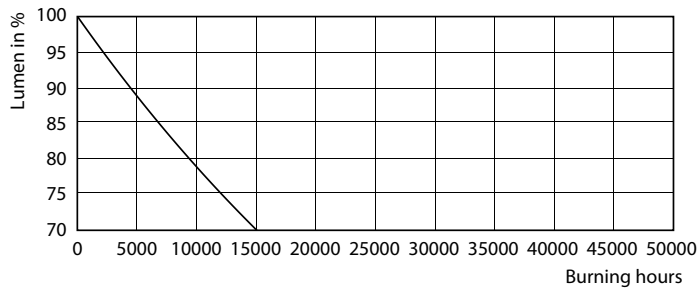
LEDspot ESS 50W GU10 PAR16 840 36D ND



LEDspot ESS 50W GU10 PAR16 827 36D ND

Essential LEDspot GU10

Lifetime



LEDspot ESS 50W GU10 PAR16 840 36D ND

LEDspot ESS 50W GU10 PAR16 840 36D ND

