

# PHILIPS

## Surge Guard

### LFC7590



# Operating Instructions

Instructions d'installation

Istruzioni per l'installazione

Installationsanweisungen

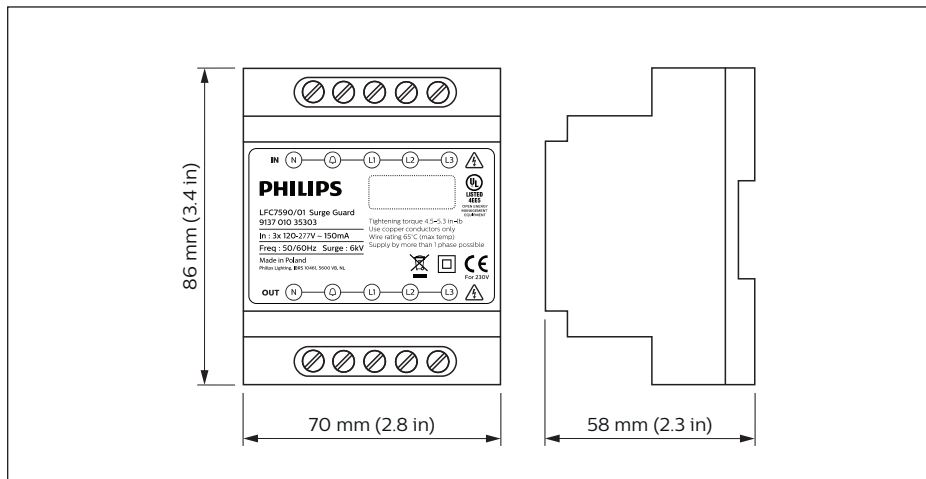
安裝指示书

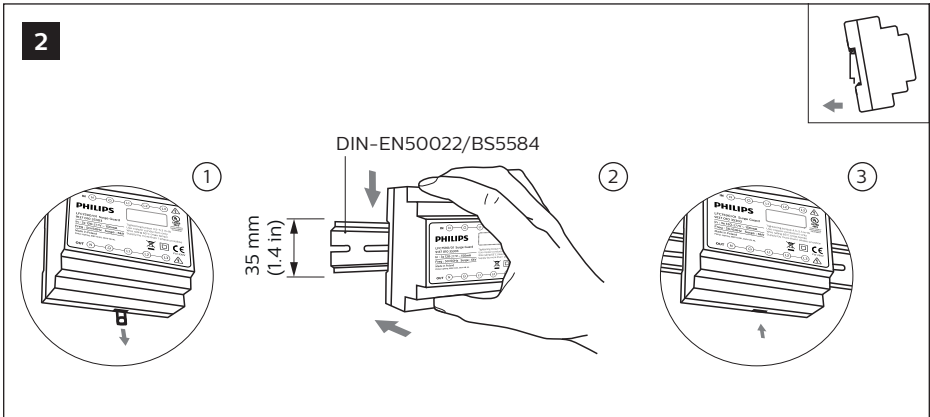
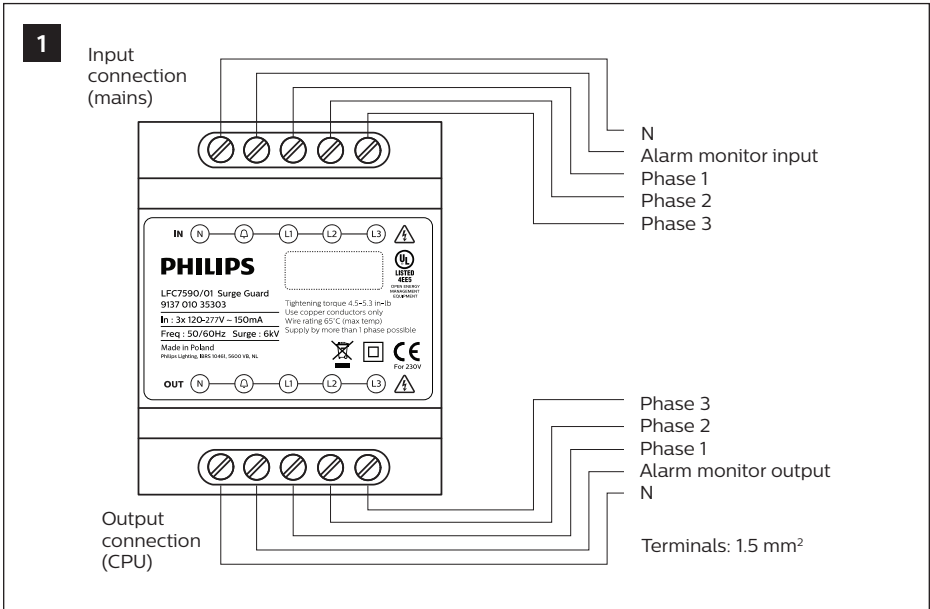
Instrucciones de instalación

Installatie-instructies

インストール手順

بيكترتلا تاداشرا





### ⚠ Cautions

- Wiring to be done by qualified Electrician or Installer.
- Make sure all primary inputs are disconnected from mains before making any changes in the installation.

- **Always** make sure the Input voltage is via 6A C type Circuit Breaker
- This product to be used **ONLY** with LCN7700 or to replace LFC7580
- Wiring changes in this version with respect to Ampguard (LFC7580)

