



# For reliable unveiling of secrets!

## PL-S Blacklight Blue

PL-S Blacklight Blue is a special low-wattage compact fluorescent lamp emitting long wave UV radiation for detection and analysis purposes in archaeology, money checking, forensic science, food industry, medicine, mineralogy, philately as well for special effects in night clubs, discos, theatres and sign lighting. The 2-pin version is designed for operation on electromagnetic gear, the 4-pin version is designed for operation on electronic gear. Both versions are provided with a plug-in/pull-out lamp base.

### Benefits

- Quick detection of UV reflecting materials
- Creates special lighting atmospheres and effects
- 4-pin version: flicker-free start, and dimming possible down to 10%

### Features

- Long wave UV fluorescent phosphor technology
- 2-pin version: 2-pin base with a housing incorporating the special instant starter and capacitor
- 4-pin version: 4-pin base

### Application

- Detection and analysis in the textile and chemical industries
- Banking and forensic science
- Special effects in night clubs, discos and theatres, and sign lighting

### Warnings and Safety

- A lamp breaking is extremely unlikely to have any impact on your health. If a lamp breaks, ventilate the room for 30 minutes and remove the parts, preferably with gloves. Put them in a sealed plastic bag and take it to your local waste facilities for recycling. Do not use a vacuum cleaner.

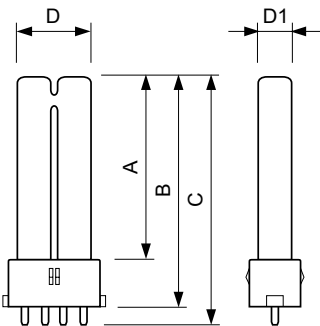
# PL-S Blacklight Blue

## Versions



PL-S 9W /108 2G7 4P

## Dimensional drawing



Product	D1 (max)	B (max)
PL-S 9W BLB/4P 1CT/6X10CC	13.0 mm	145.0 mm

