



Your everyday LEDspot MR16

Essential LEDspot MR16

Essential LEDspots MR16 are compatible with most existing fixtures with a GU5.3 socket and are designed as a retrofit replacement for halogen spots. Essential LEDspots MR16 deliver significant energy savings and minimise the initial investment.

Benefits

- Up to 90 % energy saving compared with traditional halogen lamps
- Lower maintenance costs
- Low initial investment

Features

- Easy retrofit
- Lifetime up to 15 000 hours
- Non-dimmable
- UV- and IR-free light

Application

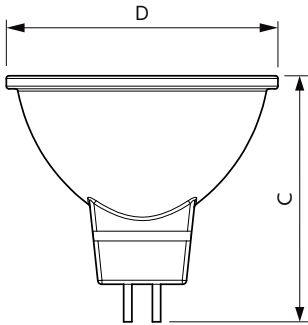
- Hotels, restaurants, bars, cafés, shops
- Lobbies, corridors, stairwells, washrooms, reception areas

Essential LEDspot MR16

Versions



Dimensional drawing



Product	D	C
Essential LED 5-50W 6500K MR16 24D	50 mm	46 mm

