

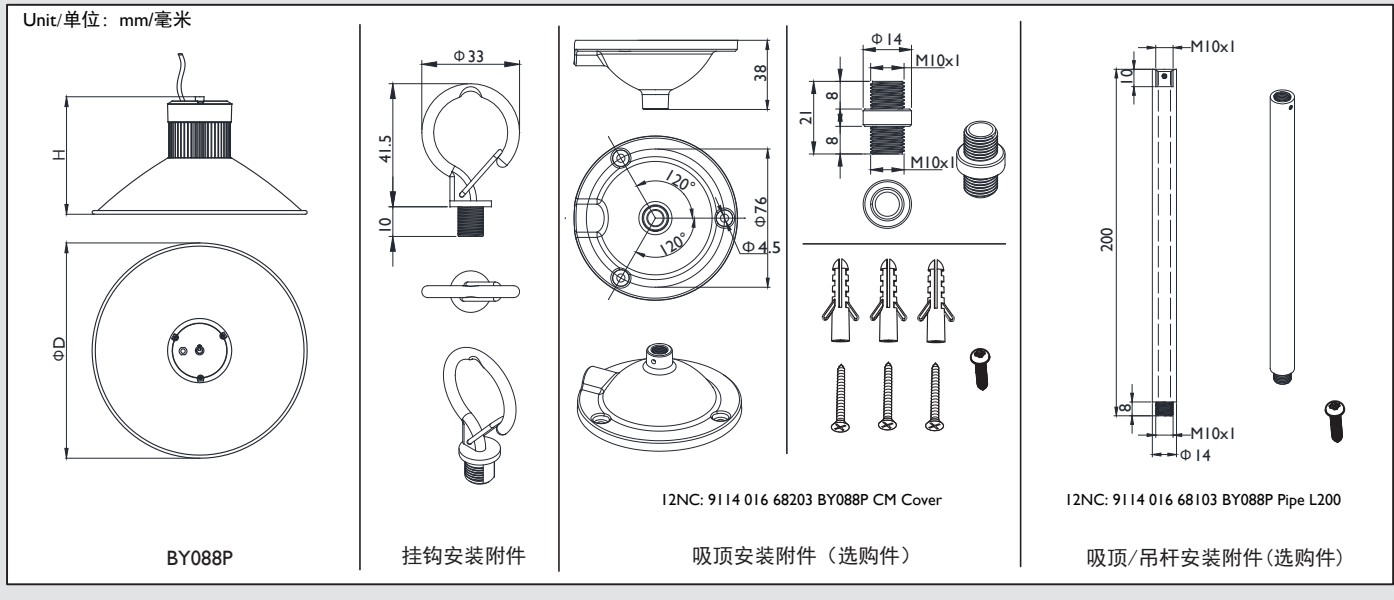
LED Lowbay/ LED 低天棚灯

BY088P

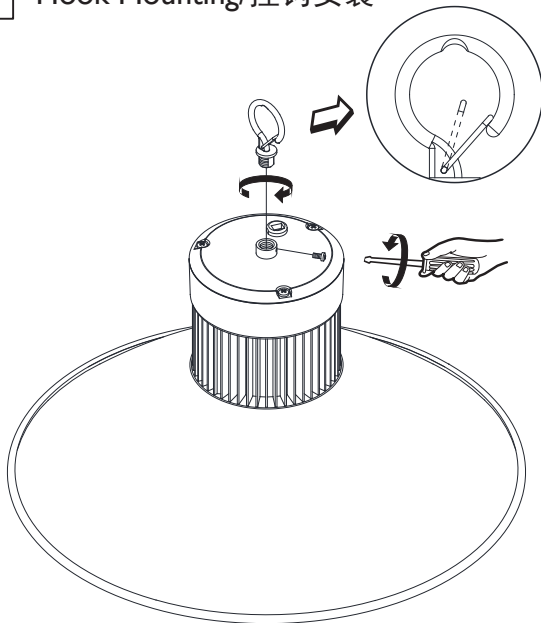
Mounting instruction/ 安装说明



Type Desc 型号描述	Power(W) 灯具功率 (W)	Voltage/Frequency 电压/频率	D (mm)	H (mm)	Weight 重量 (kg)	Lumen Output 流明输出	CCT 色温
BY088P LED20	20	220-240V 50/60Hz	250	133	0.48	1600 lm	CW (冷白光) NW (正白光) WW (暖白光)
BY088P LED30	30	220-240V 50/60Hz	300	162	0.59	2400 lm	
BY088P LED40	40	220-240V 50/60Hz	350	191	0.70	3200 lm	



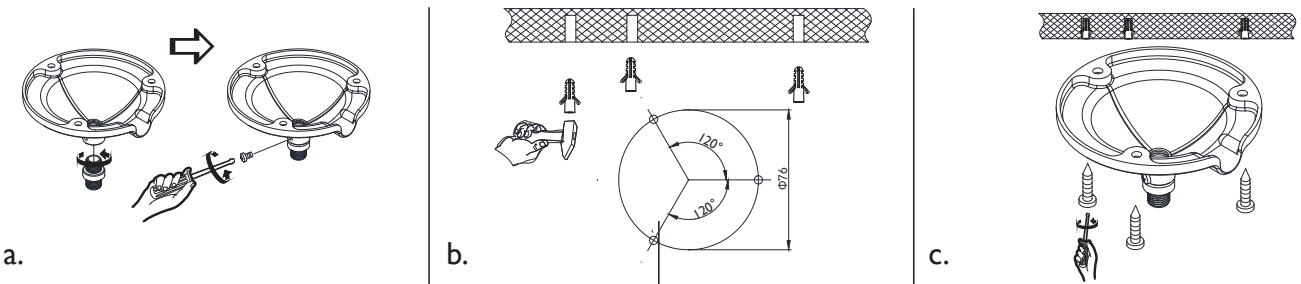
I Hook Mounting/挂钩安装



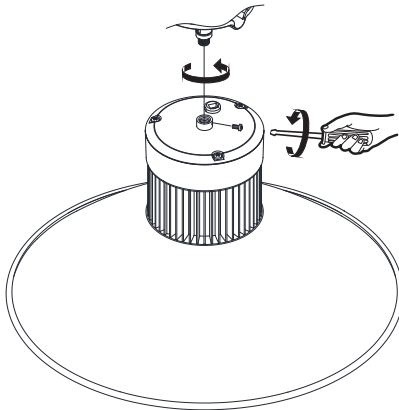
- I.1 Tighten hook to luminaire ,then tighten M3x5 screw to luminaire.
将挂钩固定在灯上, 再用M3x5 螺钉固定在灯上。
- I.2 Pull pendant chain/romp(end-user provided) through hook , then connect power cable.
将吊链/吊绳 (用户提供) 穿过挂钩后, 再连接电源线。

Surface Mounting or Pipe mounting /吸顶或吊杆安装

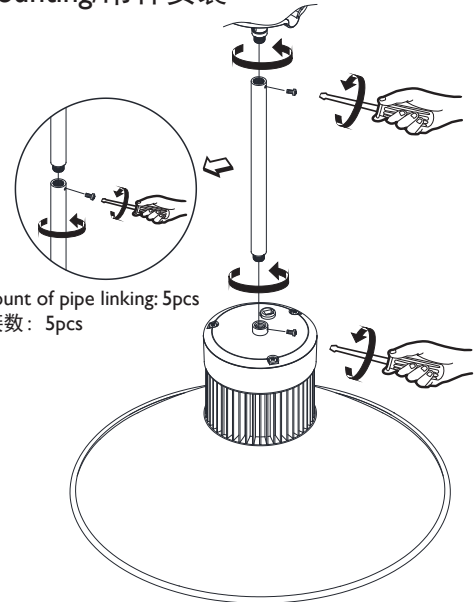
● The preparing work before surface mounting or pipe mounting /吸顶或吊杆安装前的准备工作



2 Surface Mounting/吸顶安装



3 Pipe Mounting/吊杆安装



4 Connect power Cable/连接电源线

Please use IP20 or above terminal block (dimension can't smaller than 10x20x25), it is not provided by PHILIPS
 请使用IP20以上的接线端子（尺寸不小于10x20x25mm），
 飞利浦不提供接线盒。

Luminaire cable/ 灯具出线:
 60227 IEC 53 3X0.75 mm²

- 3.1 Tighten pipe to fix base, then tighten M3x5 screw to pipe.
 将吊杆拧紧在固定座上，再用M3x5 螺钉拧紧在吊杆上。
- 3.2 Tighten luminaire to pipe, then tighten M3x5 screw to luminaire.
 将灯旋紧在吊杆上，再用M3x5 螺钉拧紧在灯上。
- 3.3 According to the installation requires the length of the pipe, the multiple pipes of the same to thread connection each other
 吊杆的长度可根据安装需要，采用多根相同吊杆互相螺纹联接的方式来实现。
- 3.4 Connect power cable. 连接电源线。



1. The luminaire shall be installed by a qualified electrician and wired in accordance with the latest IEE electrical regulations or the national requirements.
 灯具应由有资格的电工安装，接线要符合IEE电气标准或国家标准。

2. Do not switch on before complete installation.
 接线过程中，切勿通电。

3. The luminaire shall, under no circumstance, be covered with insulation matting or similar material.
 灯具不适合被隔热衬垫或类似材料覆盖。

4. While cleaning the luminaire, please use a soft cotton pad only.
 灯具清洁时请使用软布擦拭。

5. This marking indicates that this product should not be disposed with other household wastes through out the EU. To prevent possible harm to the environment or human health from uncontrolled waste disposal, recycle it responsibly to promote the sustainable reuse of material resources. To return your used device, please use the return and collection systems or contact the retailer where the product was purchased. They can take this product for environmental safe recycling.



6. The external cord of this luminaire cannot be replaced; if the cord is damaged, the luminaire shall be destroyed.

此灯具的电线不能被替换；如果损坏，该灯具即应报废。

7. The light source contained in this luminaire shall only be replaced by the manufacturer or his service agent or a similar qualified person.

此灯具内的光源应由制造商或其服务代理商或有类似资质的人来更换。

8. This is a general purpose luminaire, it should not be used in directly exposed environment containing hazardous substances for PC, consult your local Philips office for use in any special applications.

9. The luminaire working environment requirements hydrogen sulphide less than 1ppb.

10. The corrosive atmosphere or hazardous materials such as sulfur, chlorine, phthalate, etc must be avoided during the use and storage.

灯具避免在腐蚀性环境或者含有有害物质，例如硫化物，卤化物，邻苯二甲酸酯等环境中存储和使用。

