



# Essential SmartBright LowBay

## BY088P LED40/WW OL

Power supply unit - Wide beam - Polycarbonate bowl/cover - 100°

Philips Essential SmartBright LowBay is a functional lighting by combining cost-efficiency with clean design. It offers customers all the benefits of LED lighting – reduced energy consumption, longer service time and less maintenance. ;Flexible, safe, and reliable, Essential SmartBright LowBay is a perfect LED replacement to conventional CFL LowBay system, allowing you to bright up your supermarkets, retail shops, and sports recreational spaces the smarter way.

### Product data

General Information		Flammability mark	
Lamp colour code	830 warm white	CE mark	-
Light source replaceable	No	ENEC mark	-
Number of gear units	1 unit	Warranty period	1 years
Driver/power unit/transformer	PSU [ Power supply unit]	Constant light output	No
Driver included	Yes	Number of products on MCB (16 A type B)	74
Optic type	WB [ Wide beam]	EU RoHS compliant	Yes
Optical cover/lens type	PC [ Polycarbonate bowl/cover]	Light source engine type	LED
Luminaire light beam spread	100°	<b>Operating and Electrical</b>	
Control interface	-	Input Voltage	220-240 V
Connection	Flying leads/wires	Input frequency	50 or 60 Hz
Cable	Cable 0.3 m without plug	Inrush current	26 A
Protection class IEC	Safety class I (I)	Inrush time	134.6 ms
Glow-wire test	650/5 [ Temperature 650 °C, duration 5 s]		

# Essential SmartBright LowBay

Power factor (min.)	0.9
---------------------	-----

## Controls and Dimming

Dimmable	No
----------	----

## Mechanical and Housing

Housing material	Aluminium
Reflector material	Aluminium
Optic material	Polycarbonate
Optical cover/lens material	Polycarbonate
Fixation material	-
Optical cover/lens finish	Frosted
Overall height	191 mm
Overall diameter	350 mm
Colour	Grey and Black

## Approval and Application

Ingress protection code	IP20 [ Finger-protected]
Mech. impact protection code	IK03 [ 0.3 J]

## Initial Performance (IEC Compliant)

Initial luminous flux	3200 lm
Luminous flux tolerance	+/-10%
Initial LED luminaire efficacy	80 lm/W
Lamp colour temperature	3000 K

Colour Rendering Index	≥80
Initial chromaticity	SDCM<5
Initial input power	40 W
Power consumption tolerance	+/-10%

## Over Time Performance (IEC Compliant)

Median useful life L70B50	15000 h
---------------------------	---------

## Application Conditions

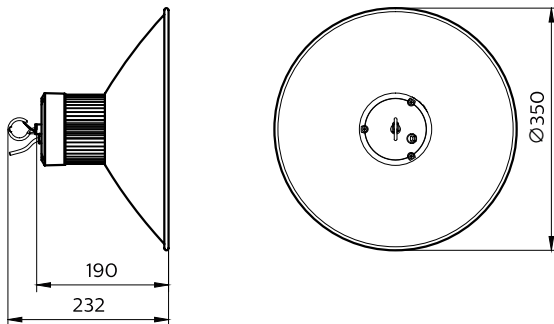
Ambient temperature range	-20 to +40 °C
Suitable for random switching	No

## Product Data

Full product code	692382862552800
Order product name	BY088P LED40/WW OL
EAN/UPC – product	6923828625528
Order code	911401668503
Numerator – quantity per pack	1
Numerator – packs per outer box	1
SAP material	911401668503
SAP net weight (piece)	0.929 kg



## Dimensional drawing



BY088P SmartBright Lowbay

## Essential SmartBright LowBay

