



Essential SmartBright LowBay

BY088P LED30/CW OL

Power supply unit - Wide beam - Polycarbonate bowl/cover - 100°

Philips Essential SmartBright LowBay is a functional lighting by combining cost-efficiency with clean design. It offers customers all the benefits of LED lighting – reduced energy consumption, longer service time and less maintenance. ;Flexible, safe, and reliable, Essential SmartBright LowBay is a perfect LED replacement to conventional CFL LowBay system, allowing you to bright up your supermarkets, retail shops, and sports recreational spaces the smarter way.

Product data

General Information		Flammability mark	
Lamp colour code	865 cool daylight	Flammability mark	F [For mounting on normally flammable surfaces]
Light source replaceable	No	CE mark	-
Number of gear units	1 unit	ENEC mark	-
Driver/power unit/transformer	PSU [Power supply unit]	Warranty period	1 years
Driver included	Yes	Constant light output	No
Optic type	WB [Wide beam]	Number of products on MCB (16 A type B)	95
Optical cover/lens type	PC [Polycarbonate bowl/cover]	EU RoHS compliant	Yes
Luminaire light beam spread	100°	LED engine type	LED
Control interface	-	Operating and Electrical	
Connection	Flying leads/wires	Input Voltage	220-240 V
Cable	Cable 0.3 m without plug	Input frequency	50 or 60 Hz
Protection class IEC	Safety class I (I)	Inrush current	24.8 A
Glow-wire test	650/5 [Temperature 650 °C, duration 5 s]	Inrush time	95.78 ms

Essential SmartBright LowBay

Power factor (min.)	0.9
---------------------	-----

Controls and Dimming

Dimmable	No
----------	----

Mechanical and Housing

Housing material	Aluminium
Reflector material	Aluminium
Optic material	Polycarbonate
Optical cover/lens material	Polycarbonate
Fixation material	-
Optical cover/lens finish	Frosted
Overall height	162 mm
Overall diameter	300 mm
Colour	Grey and Black

Approval and Application

Ingress protection code	IP20 [Finger-protected]
Mech. impact protection code	IK03 [0.3 J]

Initial Performance (IEC Compliant)

Initial luminous flux (system flux)	2400 lm
Luminous flux tolerance	+/-10%
Initial LED luminaire efficacy	80 lm/W
Lamp colour temperature	6500 K

Colour Rendering Index	≥80
Initial chromaticity	SDCM<5
Initial input power	30 W
Power consumption tolerance	+/-10%

Over Time Performance (IEC Compliant)

Median useful life L70B50	15000 h
---------------------------	---------

Application Conditions

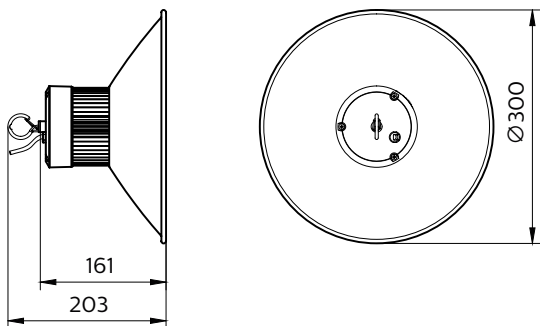
Ambient temperature range	-20 to +40 °C
Suitable for random switching	No

Product Data

Full product code	692382862553500
Order product name	BY088P LED30/CW OL
EAN/UPC – product	6923828625535
Order code	911401668603
SAP numerator – quantity per pack	1
SAP numerator – packs per outer box	1
SAP material	911401668603
Net Weight (Piece)	0.809 kg



Dimensional drawing



BY088P SmartBright Lowbay

Essential SmartBright LowBay

